

ANTI TERRA

Terra Pyramid Bollards

Shallow Mount Technology
Passive Terra Bollards
with a height of 1050mm



PAS 68 Classification:
V/7500[N2]/48/90:1.75/0
V/7500[N2]/64/90:20.8/7.6



The passive Terra Pyramid Bollards have been successfully impact Tested in accordance to the new BSi PAS 68 stopping a 7500kg lorry travelling at 30mph (48kph).

At a time when it is critical to protect our inner city areas, physical security's latest innovation is the Shallow Mount Technology.

Frontier Pitts have led the way once more with a catalogue of SMT products including the passive Terra Pyramid Bollards, Terra Shallow Blocker and Terra Mount Blocker (both blockers have been successfully BSi PAS 68 tested stopping 7500kg travelling at 50mph (80kph).

The executive finish provided by the Stainless Steel sleeve would suit any perimeter fence line creating a subtle but effective defense against a potential VBIED attack. A choice of styles are available including standard tube, standard coated tube and stainless steel amongst others.

The passive Terra Pyramid Bollards have been successfully impact tested in accordance with BSi PAS 68:2010



Frontier Pitts Ltd. Crompton House, Crompton Way, Crawley, RH10 9QZ. UK
www.frontierpitts.com +44 (0)1293 548301

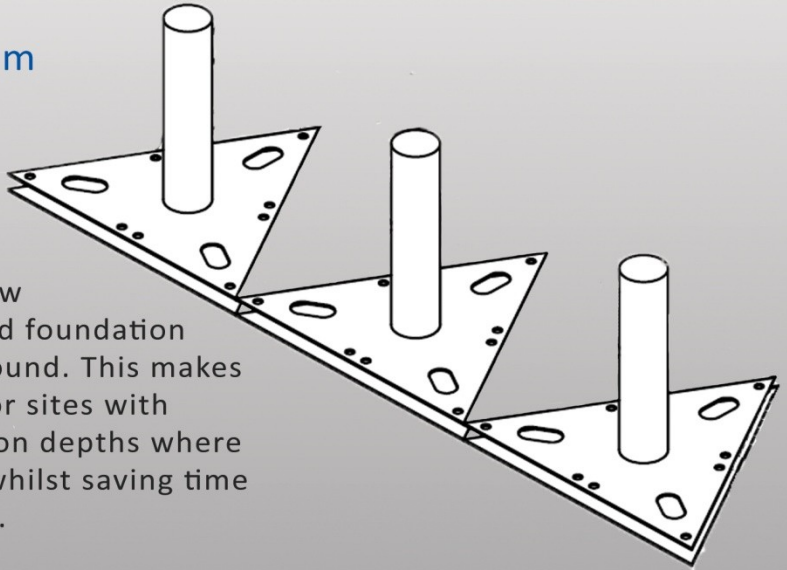
ANTI TERRA

ANTI TERRA



Terra Pyramid Bollards

Shallow Mount Technology
Passive Terra Bollards
with a height of 1050mm



The Terra Pyramid Bollards are manufactured with special Shallow Mount Technology and the bollard foundation is installed just 120mm below ground. This makes the Terra Pyramid Bollard ideal for sites with restrictions on available foundation depths where underground services may exist whilst saving time with a quick and easy installation.



In accordance with BSi PAS 69 the Terra Pyramid Bollards can only be installed with a distance of 1200mm between upright bollard faces. The height of the bollards above ground is 1050mm, with a diameter of 245mm. The base plates of the Terra Pyramid Bollards are locked together in a triangular jigsaw formation, as illustrated above.

The Frontier Pitts impact tested passive Terra Pyramid Bollards are available with Shallow Mount Technology and a height above ground of 1050mm



FP37 Terra Pyramid Bollards 072010

In accordance with Frontier Pitts policy of continual development, we reserve the right to make changes, improvements or amendments to any product at any time without prior notice. All items are offered subject to availability.

Frontier Pitts Ltd. Crompton House, Crompton Way, Crawley, RH10 9QZ. UK
www.frontierpitts.com +44 (0)1293 548301



ANTI TERRA