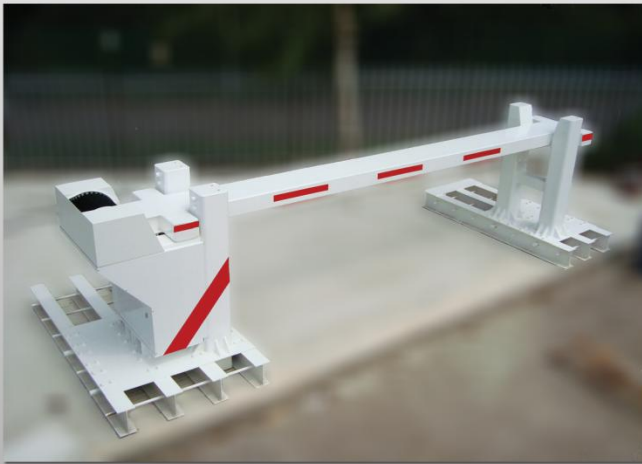


Terra ULTIMATE Barrier

PAS 68 Drop Arm Barrier



The PAS 68 Terra ULTIMATE Barrier was impact tested in March 2010 to become the first automatic drop arm barrier to completely stop the 7500kg vehicle, travelling at 80kph (1852KJ), within the aperture.



- Hydraulically Operated
- Robust drop arm barrier beam with bespoke beam lengths available up to 4500mm
- Shallow foundation depths with only 2no. small footprints 470mm deep required.
- Heavy duty reinforced end rests (no stanctions or angular braces).
- Beam is fitted with standard underrun skirt to arrest different energy levels, namely 370KJ (1500kg @ 50mph) through to 1852KJ (7500kg @ 50mph)
- Minimal penetration into site - V/7500 [N3]/80/90:5.3/2.0 making this the only drop arm barrier in its class to stop vehicles in the aperture.
- Product has undergone PAS 68 impact tests at 3 different energy levels
- After success of first test (7500kg @ 50mph) in March 2010, the beam was retested for with underrun skirt to test arresting capability on other vehicles such as saloon car vehicles
- The Terra ULTIMATE Barrier will stop low and high energy vehicles from entering site
- Operational under power fail conditions, with accumulator (optional) or hand pump (standard).

Frontier Pitts has produced another product providing complete security confidence to our clients.



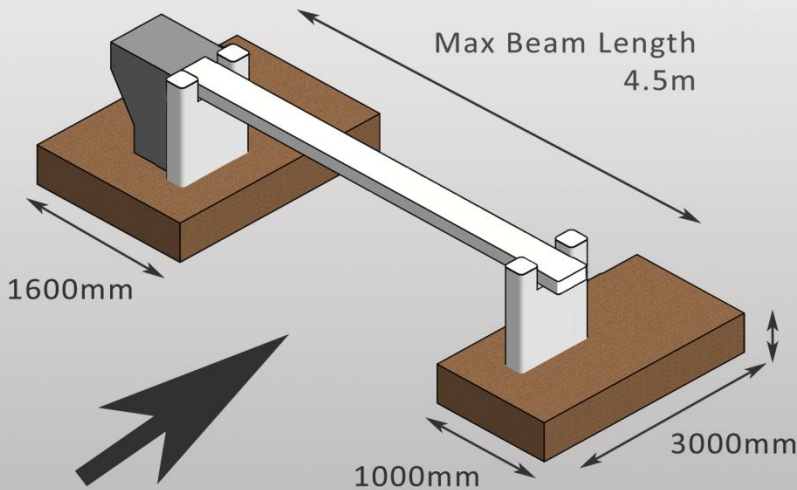
V/7500 [N3]/80/90:5.3/2.0

Tested dimensions: 1.1m high, 4.5m wide



V/1500[M1]/80/90:11.3/15.0

Tested dimensions: 4.5m wide



Shallow foundations depths of only 470mm

Power requirements: 10 amp, 4 wire, 415v, 50hz - three phase. Single phase optional.

Speed of Operation: 12-15 seconds. EFO (Extra Fast Operation) in as little as 4.5 seconds available.

BSi PAS 68 Classification code: V/7500[N3]/80/90:5.3/2.0 (N3 lorry)
& V/1500[M1]/80/90:11.3/15.0 (M1 Saloon Car)

Construction: 1 no. Heavy Duty Crash Impact Boom with underrun skirt as standard and Heavy Duty End Rest.

- 2 Body styles available
- High quality paint finish to clients choice of RAL colour
- External hydraulic pump version available for extra high security.
- Bio-degradeable oil (optional)
- Control voltage 24v DC.

Safety Options

As health and safety has always been the priority with all Frontier Pitts products, a range of accessories optional are available for the Terra Ultimate Barrier:

Vehicle detector loops, Range of access control systems Lower folding skirts, Full height swivel skirts, Boom lights, Signage, Traffic light systems

The Frontier Pitts BSi PAS 68 impact tested Terra ULTIMATE Barrier is available with a beam length of up to 4500mm. Further details available at www.frontierpitts.com or by telephoning +44(0)1293 422800.



FP40 - March 2010

In accordance with Frontier Pitts policy of continual development, we reserve the right to make changes, improvements or amendments to any product at any time without prior notice. All items are offered subject to availability.

